



DEPAC®

DEPAC TYPE 390 – INNOVATIVE AND SAVE !

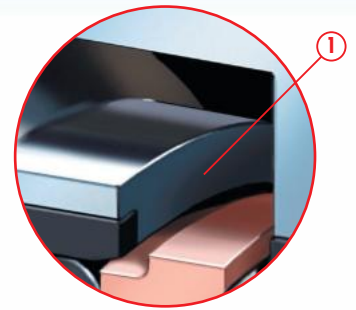
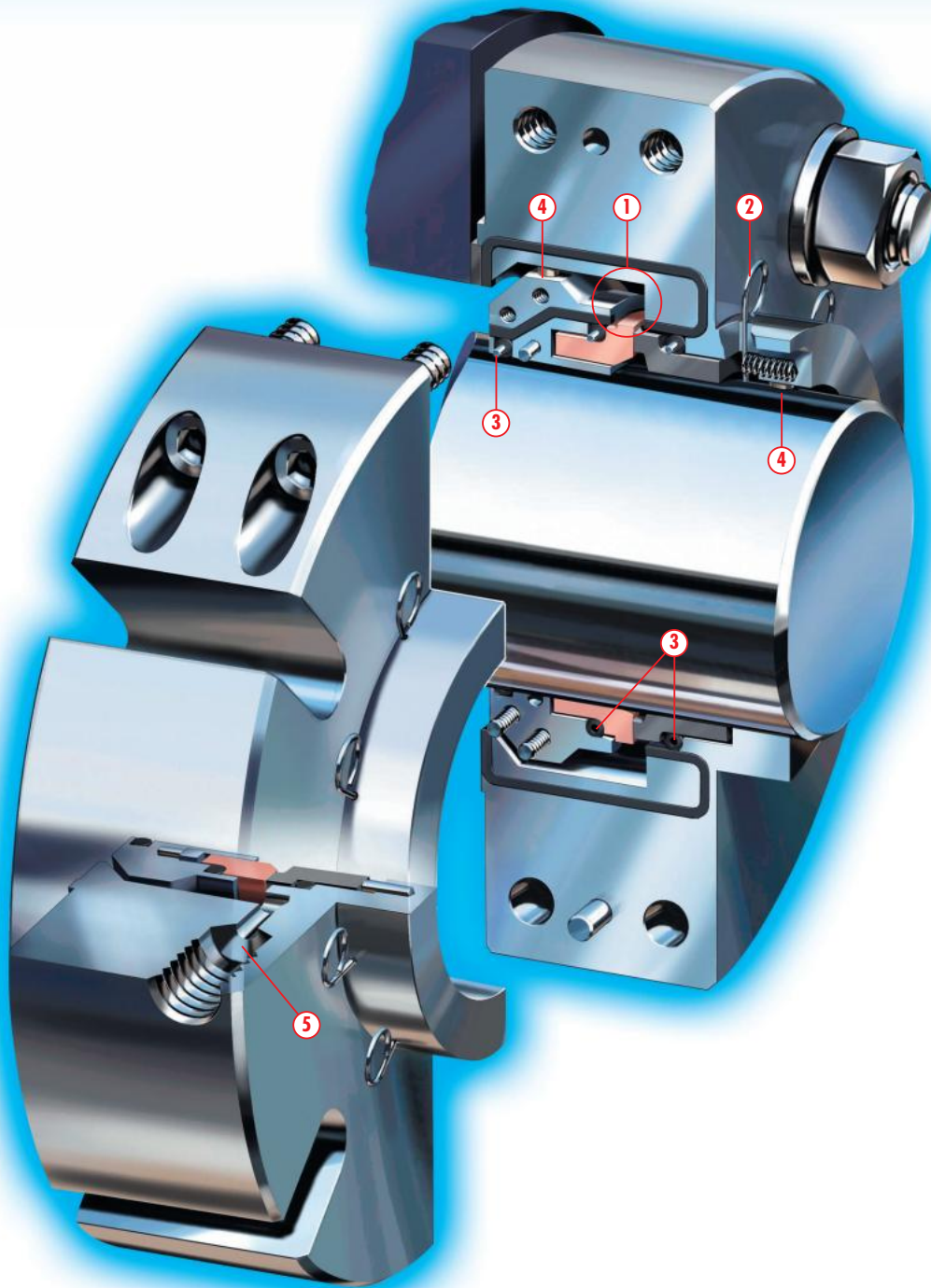
With this new split mechanical seal DEPAC again proves its business and product philosophy for the benefit of the customer: perfect technology and high safety standards combined with lowest possible purchase price and running costs.

DEPAC Type 390 is easy and simple to mount. Complete dismantling of the equipment is no longer necessary. Downtimes are reduced and production can be increased.

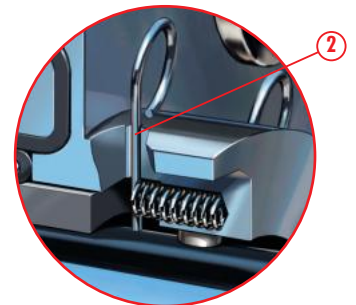
The critical service specialist will analyse the following:

- Split, space saving design. = No dismantling of equipment necessary
- No stuffing box room required since the complete seal is mounted within its own housing on the outside. = Simple change over from packings to mechanical seals possible
- **Large cavity** ① available above the seal faces. Solids or slurry particles will be thrown away from the seal faces by centrifugal force. = Reliable application also with solids containing fluids
- **Mounting splints** ② retain the spring tension. When mounting is completed the splints will be removed and the spring force will be applied to the stationary seal face. = Simple and easy installation
- **Style 390 split O-Rings with integrated centering and connecting splints** ③ are an absolute novelty with regard to split seals. = Quick, reliable and precise mounting possibilities
- **Gland centering pieces** ④ do not have to be extracted or removed after installation. = Additional safety for easy installation procedure
- Fitting appliances for linear mounting are part of the scope of supply. = Makes installation much easier
- **1/4" NPT flush connection** ⑤ for axial flush possibility. = Effective alternative for sealing medias with solid content
- Stationary balanced design. = Reliable working conditions with lowest possible face load for longest possible service life

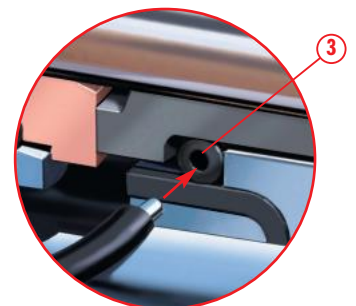
SPLIT SEAL TYPE 390



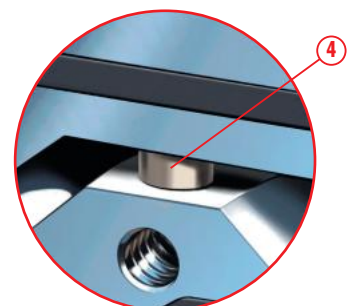
Large cavity above seal faces



Mounting splints to retain spring tension



O-Ring design with integrated centering splints



Housing-centering pieces

TECHNICAL DATA

RANGE OF APPLICATION

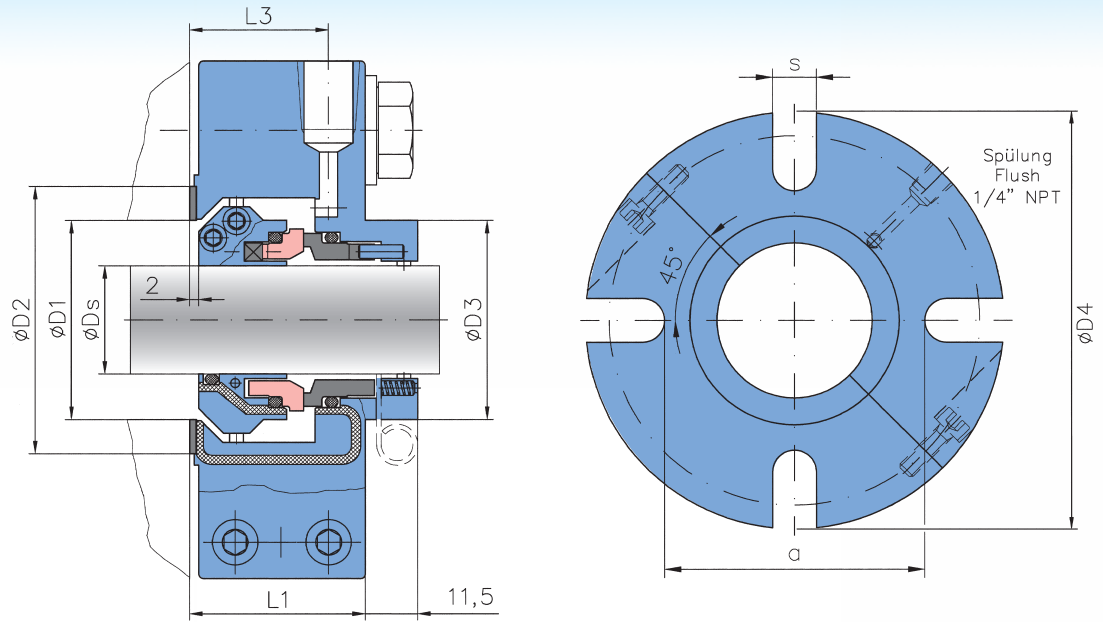
Pressure - 700 mm Hg - 12 bar
 Temp. - Elastomer dependent
 Speed - Pressure dependent

SIZES

D-Shaft - 50 140 mm
 - 2" 5 1/2"

MATERIALS

Metals - DIN 1.4571 (316 ss)
 Springs - Hast. C
 Faces - CA, SC
 O-Rings - Viton, EPDM



MM

D _s	D ₁	D ₂	D ₃	D ₄	L ₁	L ₃	a	s	O-Rings			Reorder -No.
									3.1	3.2	3.3	
50	70	85	70	140	38,5	30,5	87	14,7	136	141	141	390-50
55	75	90	75	150			92	17,5	139	145	145	390-55
60	80	98	80	160			100		142	148	148	390-60
65	85	103	85	165			105		145	150	150	390-65
70	90	118	90	180	38,5	30,5	120		148	151	151	390-70
75	102	123	99	190	46	37,5	125		234	237	237	390-75
80	107	128	104	190			130	17,5	235	239	239	390-80
85	112	133	109	220			135	21,5	237	241	241	390-85
90	117	138	114	220			140		238	242	242	390-90
95	122	143	119	220			145		240	244	244	390-95
100	127	148	124	220			150		241	245	245	390-100
105	132	153	129	240			155		243	247	247	390-105
110	137	158	134	240			160		245	248	248	390-110
115	142	163	139	240			165		246	250	250	390-115
120	147	168	144	240			170		248	252	252	390-120
125	152	173	149	260			175		249	253	253	390-125
130	157	178	154	260			180		251	255	255	390-130
135	162	183	159	260			185		252	256	256	390-135
140	167	188	164	260	46	37,5	190	21,5	254	258	258	390-140

INCH

D _s	D ₁	D ₂	D ₃	D ₄	L ₁	L ₃	a	s	O-Rings			Reorder -No.
									3.1	3.2	3.3	
2	2,756	3,346	2,756	5,512	1,515	1,201	3,425	0,578	136	141	141	390-2000
2 1/8	2,953	3,543	2,953	5,906			3,622	0,689	138	145	145	390-2125
2 1/4	3,150	3,858	3,150	6,299			3,937		140	148	148	390-2250
2 3/8	3,150	3,858	3,150	6,299			3,937		142	148	148	390-2375
2 1/2	3,346	4,055	3,346	6,496			4,134		144	150	150	390-2500
2 5/8	3,543	4,646	3,543	7,087			4,724		146	151	151	390-2625
2 3/4	3,543	4,646	3,543	7,087	1,515	1,201	4,724		148	151	151	390-2750
2 7/8	4,016	4,843	3,898	7,480	1,811	1,476	4,921		233	237	237	390-2875
3	4,213	5,039	4,094	7,480			5,118		234	239	239	390-3000
3 1/8	4,213	5,039	4,094	7,480			5,118	0,689	235	239	239	390-3125
3 1/4	4,409	5,236	4,291	8,661			5,315	0,846	236	241	241	390-3250
3 3/8	4,409	5,236	4,291	8,661			5,315		237	241	241	390-3375
3 1/2	4,606	5,433	4,488	8,661			5,512		238	242	242	390-3500
3 5/8	4,803	5,630	4,685	8,661			5,709		239	244	244	390-3625
3 3/4	4,803	5,630	4,685	8,661			5,709		240	244	244	390-3750
3 7/8	5,000	5,827	4,882	8,661			5,906		241	245	245	390-3875
4	5,197	6,024	5,079	9,449			6,102		242	247	247	390-4000
4 1/8	5,197	6,024	5,079	9,449			6,102		243	247	247	390-4125
4 1/4	5,394	6,220	5,276	9,449			6,299		244	248	248	390-4250
4 3/8	5,591	6,417	5,472	9,449			6,496		245	250	250	390-4375
4 1/2	5,591	6,417	5,472	9,449			6,496		246	250	250	390-4500
4 5/8	5,787	6,614	5,669	9,449			6,693		247	252	252	390-4625
4 3/4	5,787	6,614	5,669	9,449			6,693		248	252	252	390-4750
4 7/8	5,984	6,811	5,866	10,236			6,890		249	253	253	390-4875
5	6,181	7,008	6,063	10,236			7,087		250	255	255	390-5000
5 1/8	6,181	7,008	6,063	10,236			7,087		251	255	255	390-5125
5 1/4	6,378	7,205	6,260	10,236			7,283		252	256	256	390-5250
5 3/8	6,575	7,402	6,457	10,236			7,480		253	258	258	390-5375
5 1/2	6,575	7,402	6,457	10,236	1,811	1,476	7,480	0,846	254	258	258	390-5500

Other sizes, materials or design variations available on request.

DEPAC Anstalt (Establishment)
 Industriestrasse 733
 FL-9492 Eschen
 Liechtenstein
 Tel.: +423-373-9700
 Fax: +423-373-9719
 e-mail: office.depac@supra.net
 Internet: www.depac.at

DEPAC Seals (Pty) Ltd.
 34 Van der Merwe Street
 Montana
 Pretoria
 South Africa
 Tel.: +27-12-548 3180
 Fax: +27-12-548 3182
 e-mail: office@depacseals.co.za
 Internet: www.depac.at

DEPAC Inc.
 One Schuykill Parkway
 Bridgeport Pa. 19405
 USA
 Tel.: +1-866-86-SEALS (73257)
 Fax: +1-866-868-7877
 e-mail: office@depacseals.com
 Internet: www.depacseals.com

Your local DEPAC distributor:



SPLIT SEAL

... great achievement!

